



**Acoustic Cabinet Fans
CVB / CVT CENTRIBOX Series**

Serial CVT-CVB

CVB-270/200N RE 515W EXPORT *230V 50* N6

Cabinet fans manufactured from heavy gauge galvanised steel sheet and internally lined with melamine foam acoustic insulation (M1). All models incorporate double inlet single phase direct-drive forward curved centrifugal fan fitted with anti vibration mounts and IP55 remote terminal box. All fans installed in acoustic cabinet fans CVB / CVT CENTRIBOX comply with the efficiency requirements of the ErP Directive. All cabinets can be installed outdoors as standard.



Motors

Available, depending upon the model, with single phase motors in 4 or 6 poles. Motors are IP44 or IP55 (1), Class F insulation, with ball bearings and thermal protection. Electrical supply:
Single phase 230V-50Hz.
Three phase 230/400V-50Hz.
All single phase models are speed controllable by tension.
All three phase models are speed controllable by frequency inverter.(1) See technical characteristic chart.



Working temperature from -20°C to +40°C.

Technical data

Acoustic characteristics

Hz	63	125	250	500	1k	2k	4k	8k	Overall
Inlet (Lw)	78	77	78	78	70	63	61	54	84
Inlet (LwA)	52	61	69	75	70	64	62	53	77
Inlet LpA @ 1,5m	37	46	54	60	55	49	47	38	63
Outlet (Lw)	78	79	81	82	82	81	78	73	89
Outlet (LwA)	52	63	72	79	82	82	79	72	87
Outlet LpA @ 1,5m	37	48	57	64	67	67	64	57	73
Breakout (Lw)	78	74	71	67	59	53	48	43	80
Breakout (LwA)	52	58	62	64	59	54	49	42	68
Breakout LpA @ 1,5m	37	43	47	49	44	39	34	27	53

Technical characteristics

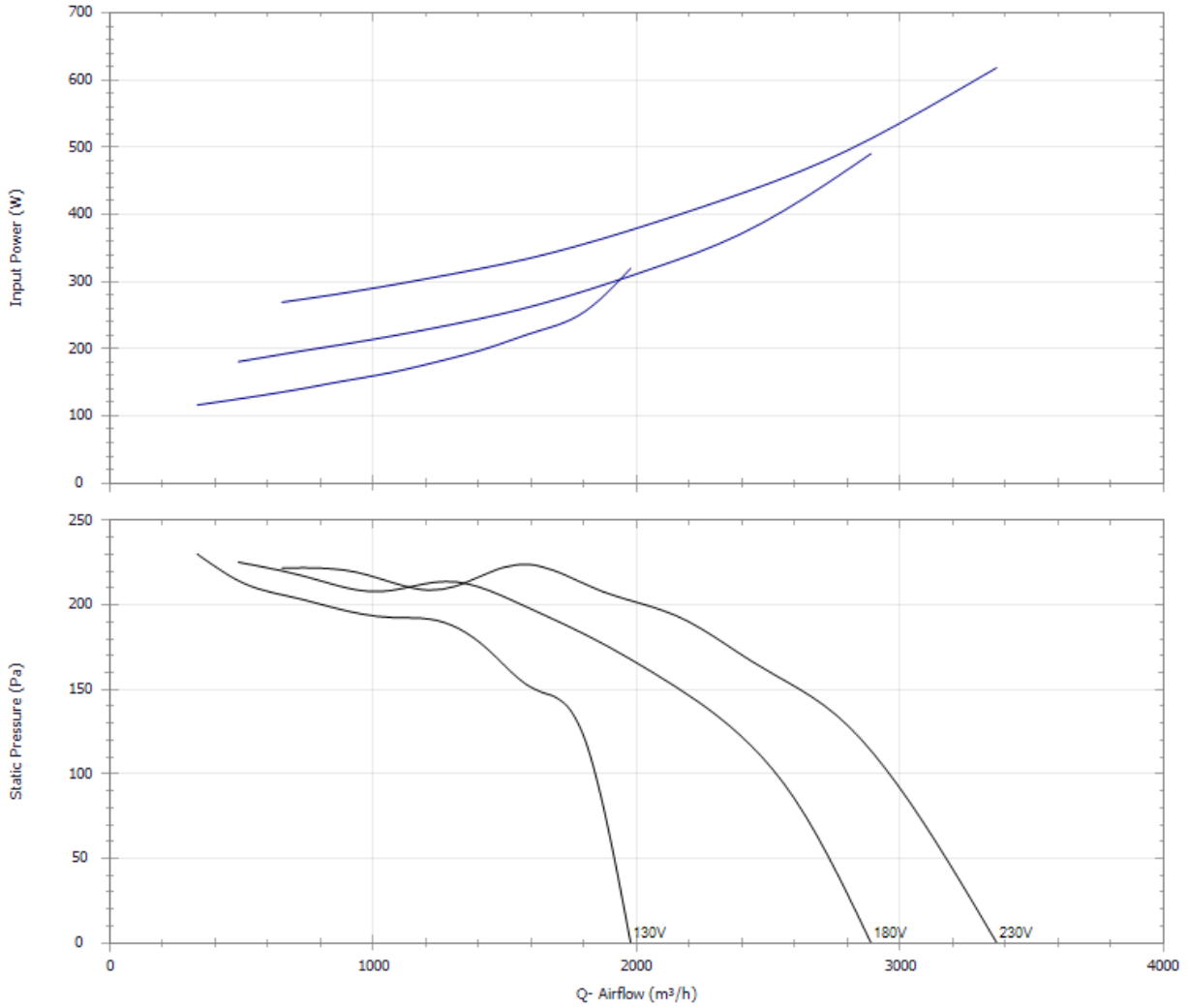
Construction

Discharge diameter	400 mm
Fan size	10/8
Weight	42,00 kg

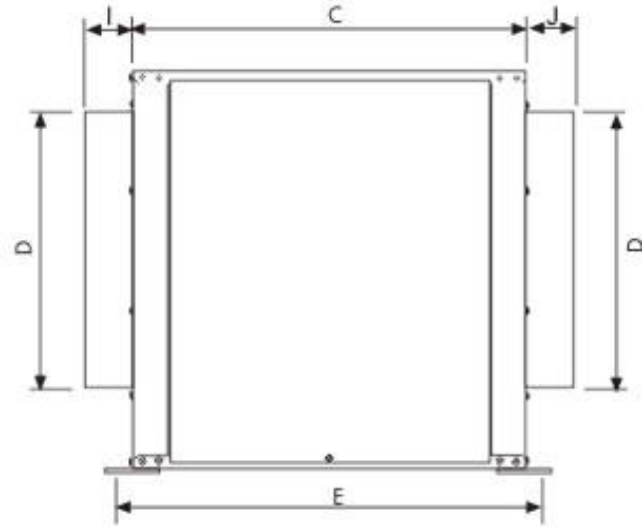
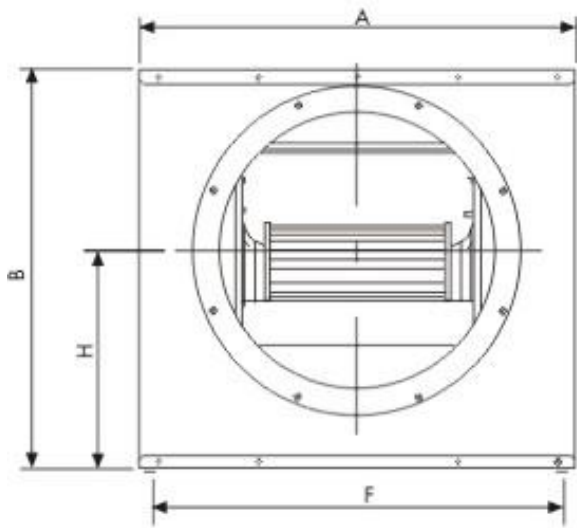
Motor Characteristics

Number of poles	6
Voltage	1-230V-50Hz
Maximum absorbed current	2,9 A
IP Rating	IP55
Motor insulation class	F

Curves



Dimensions



A	B	C	E	F	H	I
605	581	558	586	572	322	65

ErP Information

Ecodesign	
Commission regulation (EU) N°1253/2014 of July 2014	
Information requirements (Annex V)	
Product description	CVB-270/200N RE 515W EXPORT (230V 50) N6
Manufacturer's Info	S&P ES-08150 CIF-B64911928
Identifier	5137215600
Typology	NRVU unidirectional
Drive	VSD
Type of HRC	None
Thermal efficiency (%)	NA
Qnom (m3/s)	0,47
Pelec (kW)	0,34
SFPint (W/m3/s)	NA
Face velocity (m/s)	1,34
ps,ext (Pa)	218,7
ps,int (Pa)	NA
ps,add (Pa)	NA
Static efficiency fans (%)	40,4
External leakage rate (%)	5
Internal leakage rate (%)	NA
Filter performance	NA
Filter warning	NA
LWA dB(A)	57
www.solerpalau.com	

