



Acoustic Cabinet Fans  
CVB / CVT CENTRIBOX Series

**Serial CVT-CVB**

**CVB-270/270N T 245W EXPORT \*230V 50\* N6**

Cabinet fans manufactured from heavy gauge galvanised steel sheet and internally lined with melamine foam acoustic insulation (M1). All models incorporate double inlet single phase direct-drive forward curved centrifugal fan fitted with anti vibration mounts and IP55 remote terminal box. All fans installed in acoustic cabinet fans CVB / CVT CENTRIBOX comply with the efficiency requirements of the ErP Directive.  
All cabinets can be installed outdoors as standard.



**Motors**

Available, depending upon the model, with single phase motors in 4 or 6 poles. Motors are IP44 or IP55 (1), Class F insulation, with ball bearings and thermal protection.

Electrical supply:

Single phase 230V-50Hz.

Three phase 230/400V-50Hz.

All single phase models are speed controllable by tension.

All three phase models are speed controllable by frequency inverter.(1) See technical characteristic chart.



Working temperature from -20°C to +40°C.

**Technical data**

Acoustic characteristics

Hz	63	125	250	500	1k	2k	4k	8k	Overall
Inlet (Lw)	70	68	68	67	60	52	49	42	75
Inlet (LwA)	44	52	59	64	60	53	50	41	67
Inlet LpA @ 1,5m	29	37	44	49	45	38	35	26	52
Outlet (Lw)	70	70	71	71	72	70	66	61	79
Outlet (LwA)	44	54	62	68	72	71	67	60	76
Outlet LpA @ 1,5m	29	39	47	53	57	56	52	45	62
Breakout (Lw)	70	65	61	56	49	42	36	31	72
Breakout (LwA)	44	49	52	53	49	43	37	30	58
Breakout LpA @ 1,5m	29	34	37	38	34	28	22	15	43

Technical characteristics

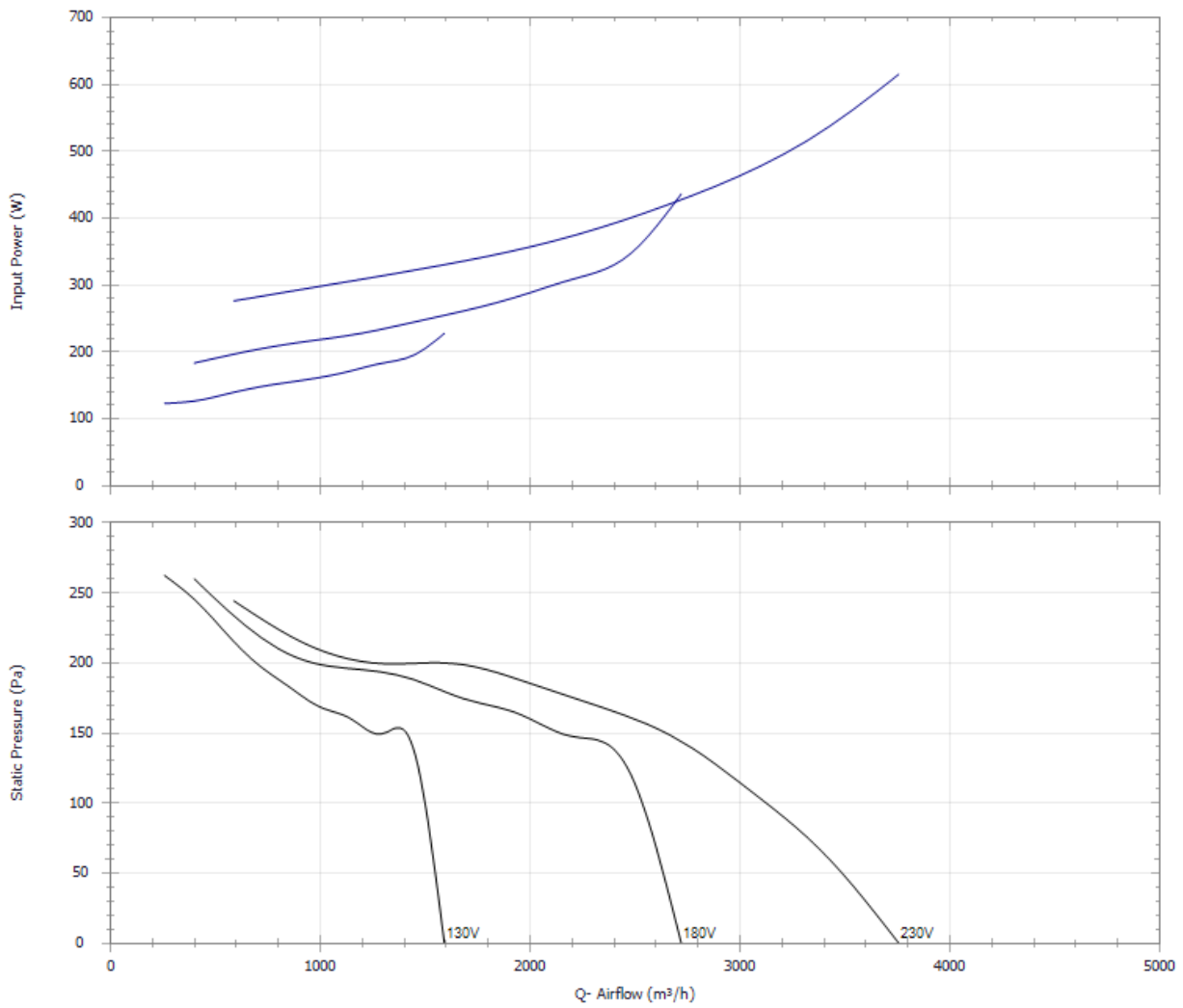
**Construction**

Discharge diameter 400 mm  
Fan size 10/10

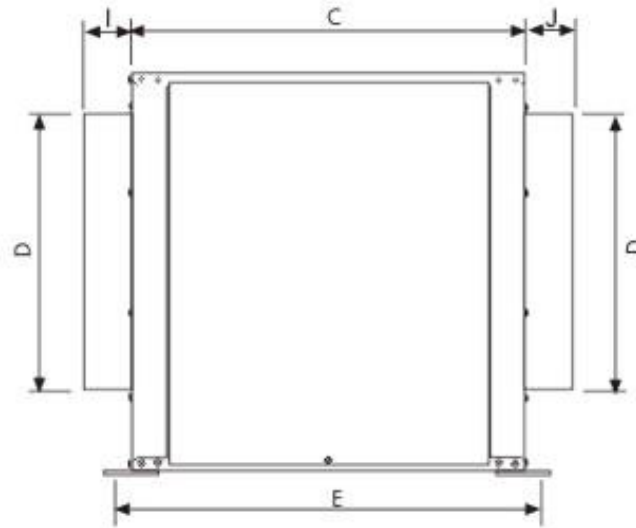
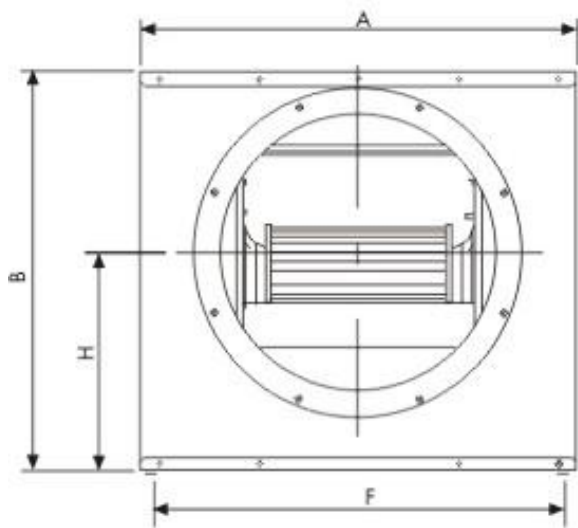
### Motor Characteristics

Number of poles 6  
Voltage 1-230V-50Hz  
Maximum absorbed current 2,9 A  
IP Rating IP44  
Motor insulation class F

### Curves



### Dimensions



A	B	C	E	F	H	I
605	581	558	586	572	322	65

ErP Information