



In-line duct fans
SILENTUB Series

Serial SILENTUB

SILENTUB-200 (220-240V 50)

Transfer axial fan offering a very low noise level and specifically designed to work through a duct or to be flush mounted into the wall, ideal for ventilating small areas or to exchange heat between adjoining rooms. Fitted with single phase motors 230V-50Hz, IP44, Class II, with ball bearings for enhanced working life and assembled on silent-blocks.



Technical data

Acoustic characteristics

No sound information available.

Hz	63	125	250	500	1k	2k	4k	8k	Overall
----	----	-----	-----	-----	----	----	----	----	---------

Technical characteristics

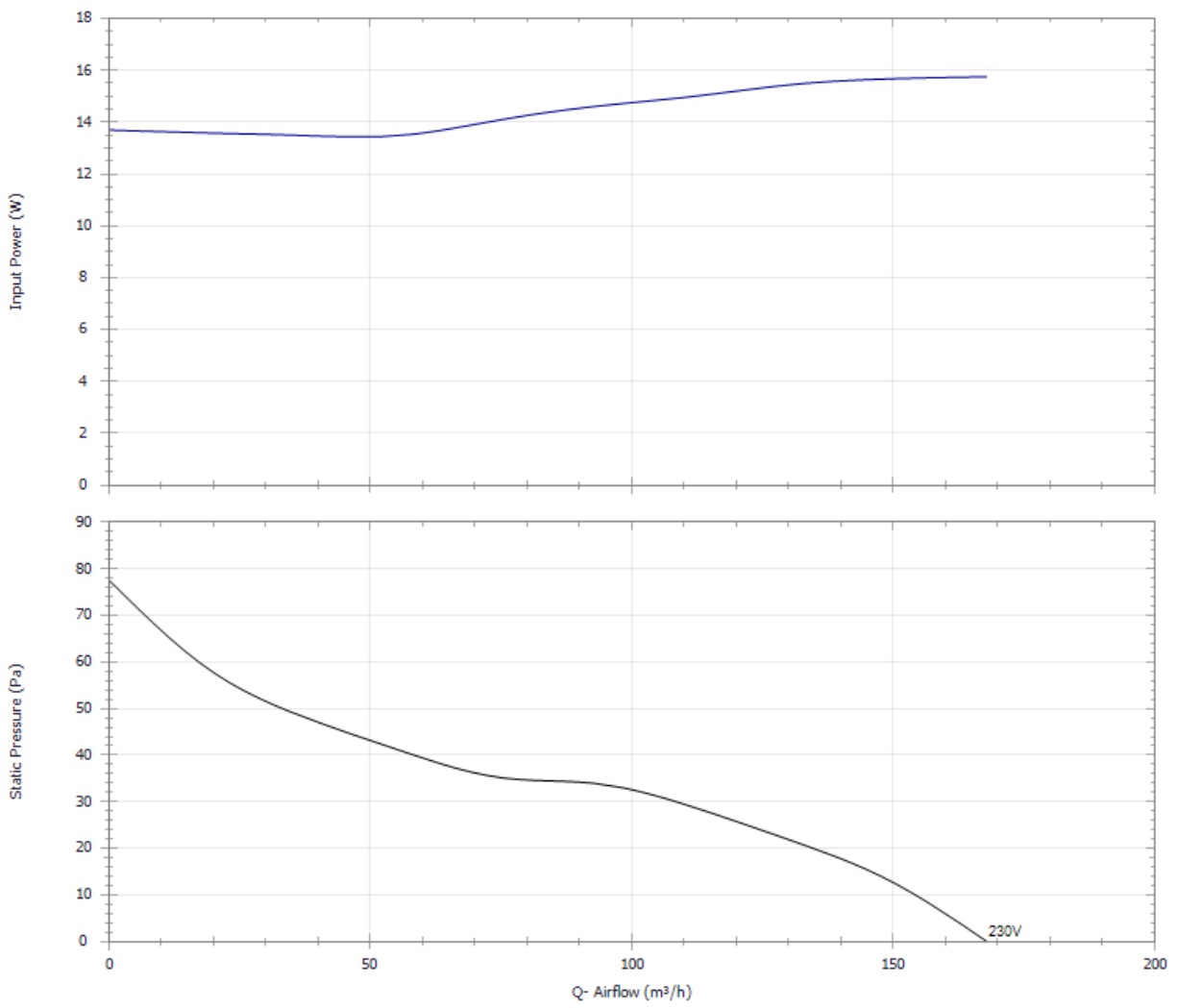
Construction

Discharge diameter	120 mm
Fan size	200
Weight	0kg

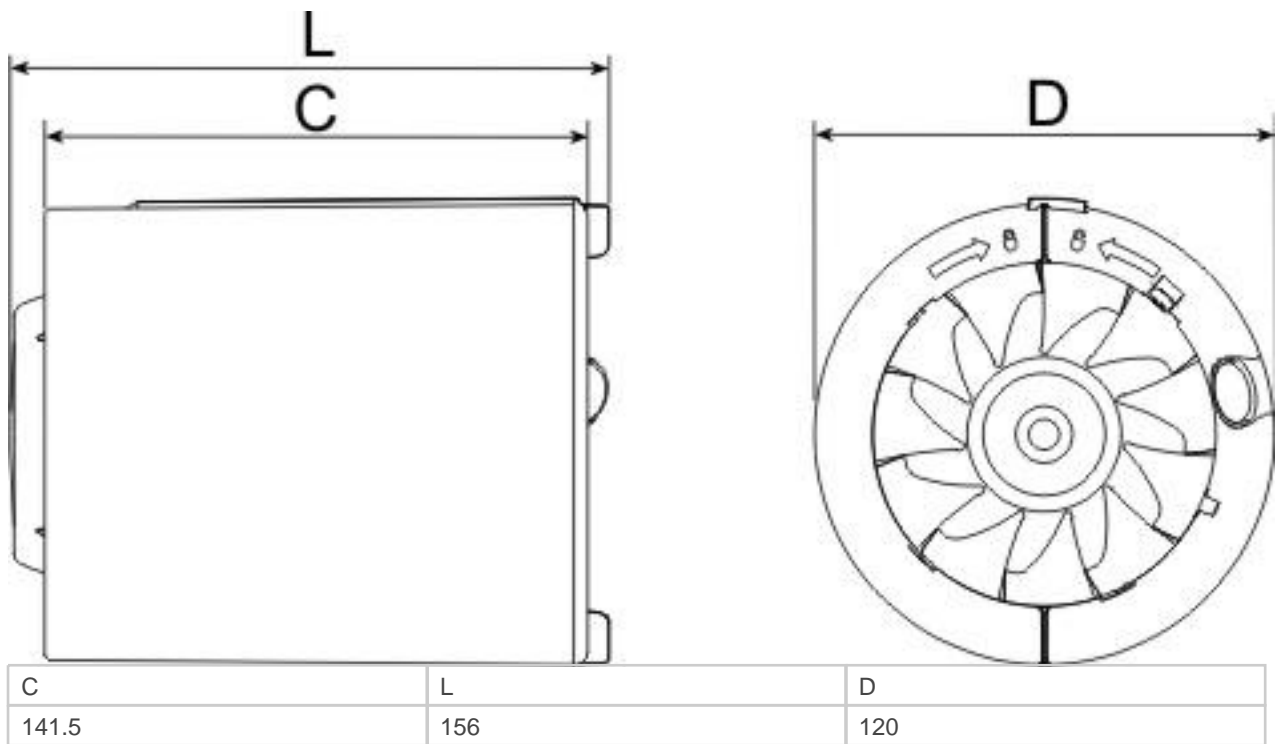
Motor Characteristics

Voltage	1-230V-50Hz
Maximum absorbed current	0,1 A
IP Rating	IP44
Motor insulation class	II

Curves



Dimensions



Ecodesign	
Commission regulation (EU) N°1253/2014 of July 2014	
Information requirements (Annex V)	
ProductoComercial	SILENTUB-200 (220-240V 50)
Identifier	5210316600
SEC average climate (kWh/(m2.an))	-11,74
SEC class	NA
SEC cold climate (kWh/(m2.an))	-28
SEC warm climate (kWh/(m2.an))	-2
Typology	RVU unidirectional
Type of drive	1-speed
Type of HRC	None
Thermal efficiency (%)	0
Maximum flow rate (m3/h)	117
Electrical power input at maximum flow rate (W)	14,36
Sound power level (LWA)	57
Reference flow rate (m3/s)	0,0231
Reference pressure difference (Pa)	34,53
SPI (W/m3/h)	0,1729
Control factor	1
Control typology	Manual
Maximum internal leakage for BVU (%)	Not applicable
Maximum external leakage for BVU and UVU (%)	0
Mixing rate for BVU without duct connection (%)	Not applicable
Position of visual filter warning	Not applicable
description of visual filter warning	Not applicable
Instructions to install supply grilles	F&W Leaflet
Instructions to install exhaust grilles	F&W Leaflet
www.solerpalau.com	
Airflow sensitivity to pressure variation	Not applicable
Indoor/outdoor air tightness (m3/h)	Not applicable
Annual electricity consumption - Average climate	216,55
Annual electricity consumption - Warm climate	216,55
Annual electricity consumption - Cold climate	216,55
Annual heating saved - Average climate (kWh/a)	17,15
Annual heating saved - Warm climate (kWh/a)	7,76
Annual heating saved - Cold climate (kWh/a)	33,55