



Protection guard  
EMB-T

## Serial EMB-T

### EMB-1250T

Bellmouth inlet with protection guard for form B airflow TGT/THGT, or form A with long casing.  
Reduce inlet loss and prevent entry of objects or contact with fan impeller.



## Technical data

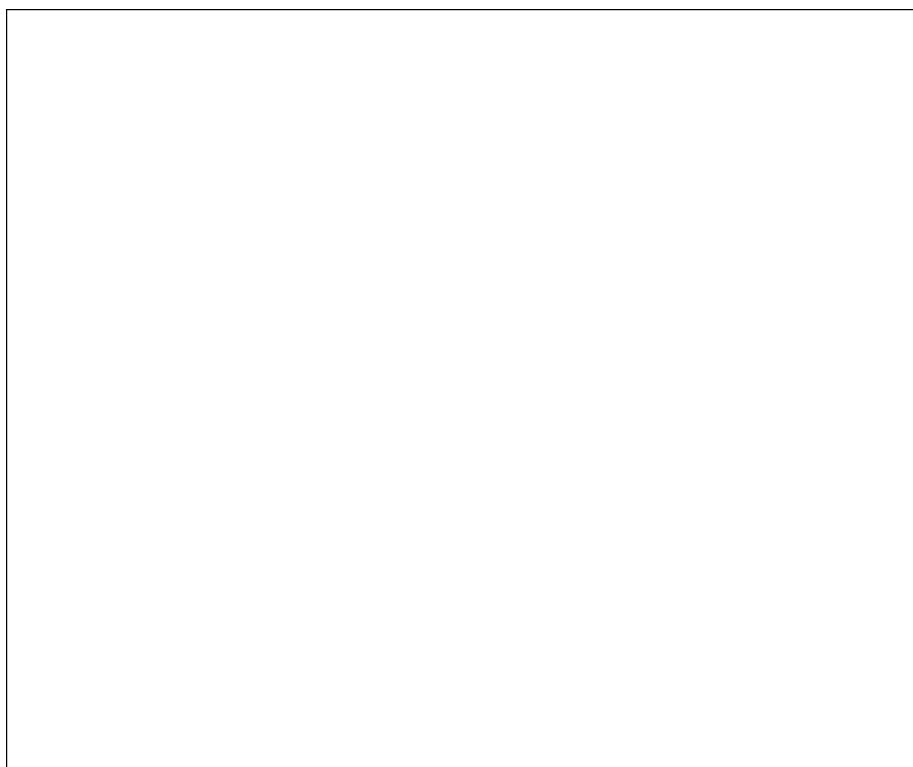
Acoustic characteristics

No sound information available.

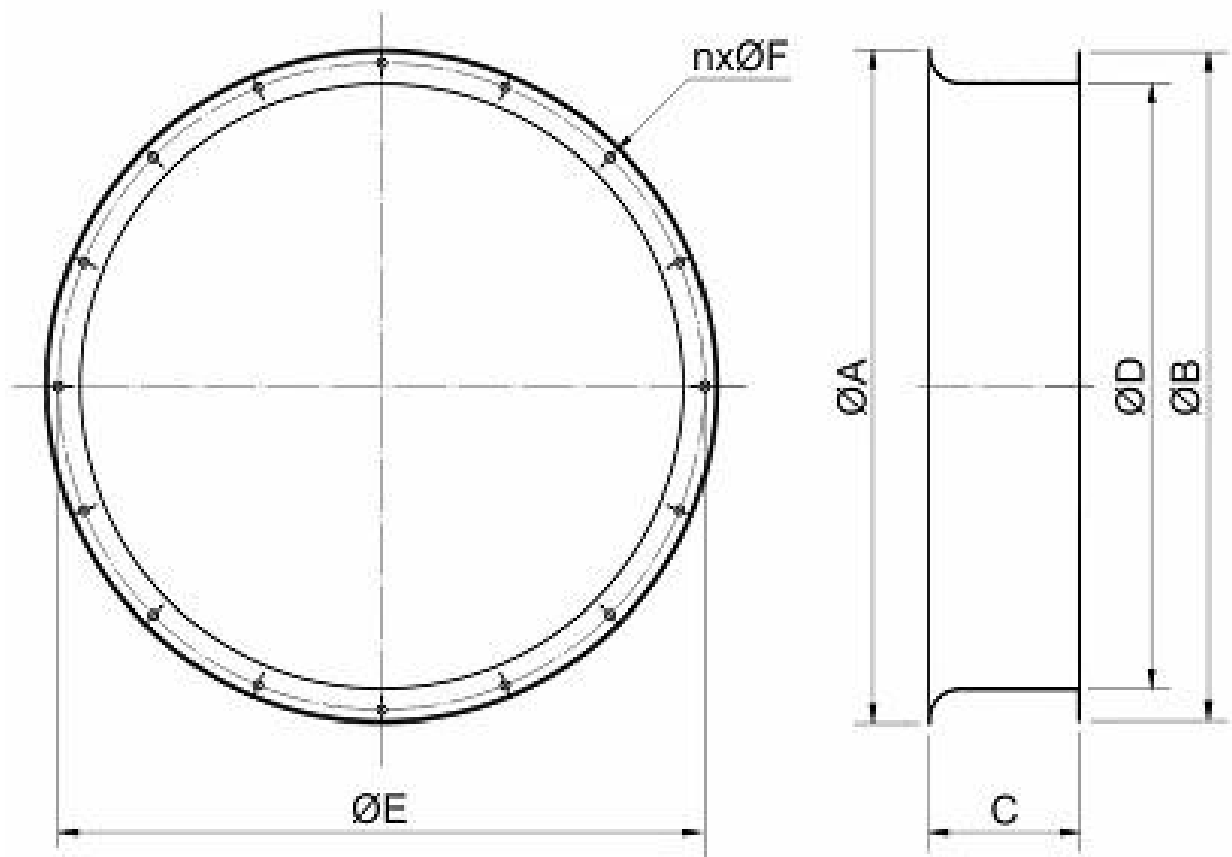
Hz	63	125	250	500	1k	2k	4k	8k	Overall
----	----	-----	-----	-----	----	----	----	----	---------

Technical characteristics

Curves



## Dimensions



A	B	C	D	E	F	n
1364	250	1320	1250	15	1355	20

## ErP Information