



**In-line mixed flow duct fans ultra-quiet
TD-SILENT Series**

Serial TD-SILENT

TD-800/200 SILENT (230-240V 50)

Models 160 to 1000

Low profile "Mixed-flow" fans with soundabsorbent insulation. Extremely quiet. Certified of Approval Noise Abatement Society (TD-350, TD-500, TD-800 and TD-1000 models).

Manufactured in plastic material, with a specifically designed internal skin to direct the sound waves at the right angle for them to be captured by the sound-absorbent material (1). Fitted with rubber gaskets on the inlet and outlet to absorb vibrations, a body that can be dismantled. Connection box can be rotated 360°, to facilitate easy connection of the power cable.

Motors

Speed controllable 230V-50Hz motor, of 2-speed or 3-speed motors (depending on the models). IP44.

Motors are class B, with ball bearings and safety thermal overload protection.

(1) Except the TD-160 SILENT, that is fitted with the special floating motor system patented by S&P.

Additional information

The models offer solutions to ventilation problems, especially in places where people work and low sound level is required.

TD-SILENT-T models

TD-SILENT versions fitted with a run-on-timer adjustable within 1 and 30 minutes and 1-speed or 3-speed motors not suitable for speed control.

Models 1300 and 2000

Low profile "Mixed-flow" fans with soundabsorbent insulation. Extremely quiet. Certified of Approval Noise Abatement Society (TD-2000 model). Constructed from sheet steel with epoxy polyester paint, acoustic insulation (MO) glass fibre, within outer shell. Aerodynamic inlet to improve airflow and reduce sound. Detachable fan unit without demounting duct connections. IP44. External terminal box IP55. Removeable fan body with 3 speed motor, single phase 230V-50/60Hz speed controllable, Class F, external rotor aluminium motor with capacitor and thermal protection.

Additional information

The models offer solutions to ventilation problems, especially in places where people work and low sound level is required.



Technical data

Acoustic characteristics

Hz	63	125	250	500	1k	2k	4k	8k	Overall
Inlet (Lw)	53	56	57	60	61	60	56	51	67
Inlet (LwA)	27	40	48	57	61	61	57	50	66
Inlet LpA @ 1,5m	12	25	33	42	46	46	42	35	51
Outlet (Lw)	75	66	60	62	62	61	58	52	76
Outlet (LwA)	49	50	51	59	62	62	59	51	67

Outlet LpA @ 1,5m	34	35	36	44	47	47	44	36	53
Breakout (Lw)	38	47	38	38	37	35	23	19	49
Breakout (LwA)	12	31	29	35	37	36	24	18	42
Breakout LpA @ 1,5m	-3	16	14	20	22	21	9	3	27

Technical characteristics

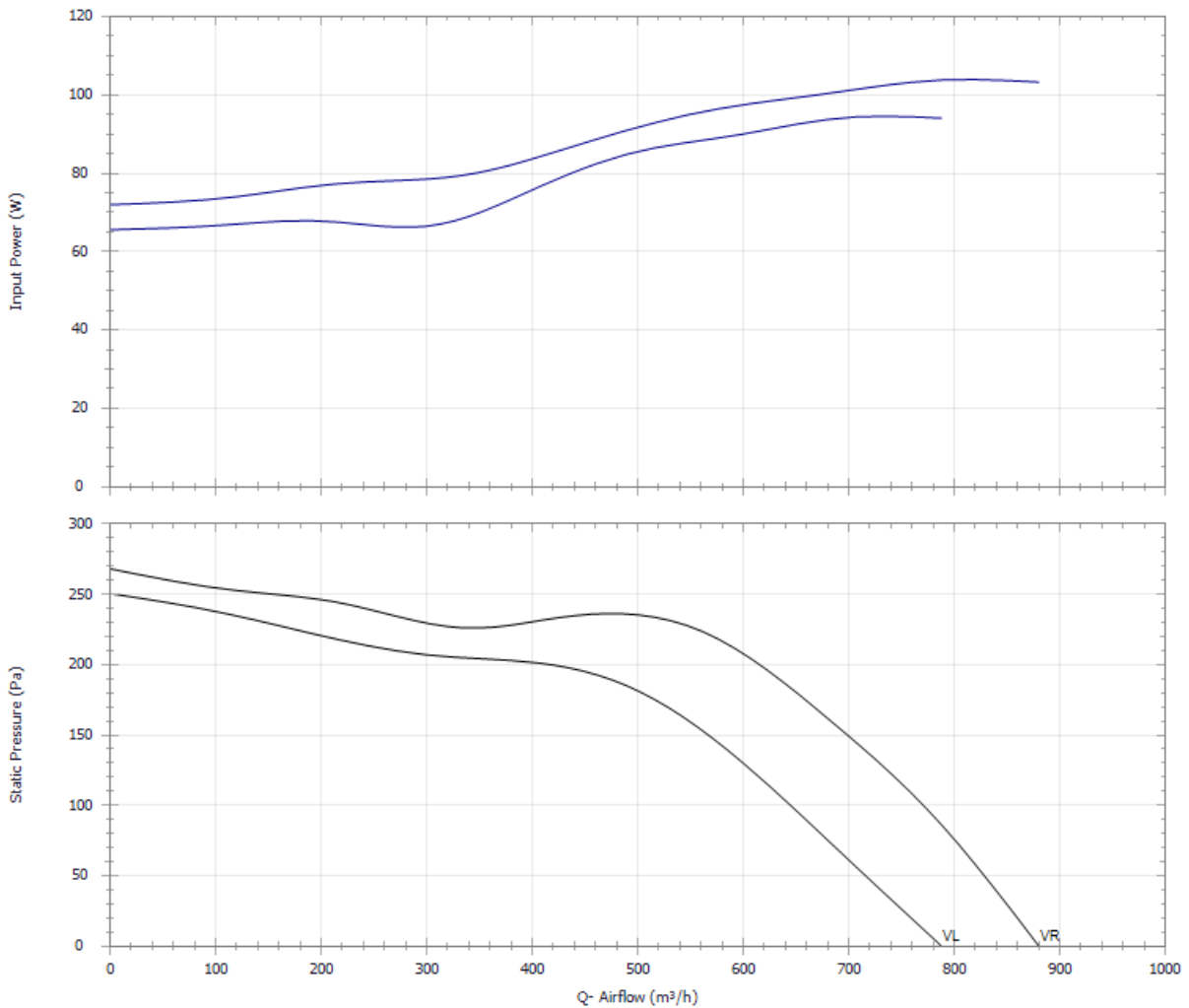
Construction

Discharge diameter 200 mm
 Fan size 200
 Weight 8,70 kg

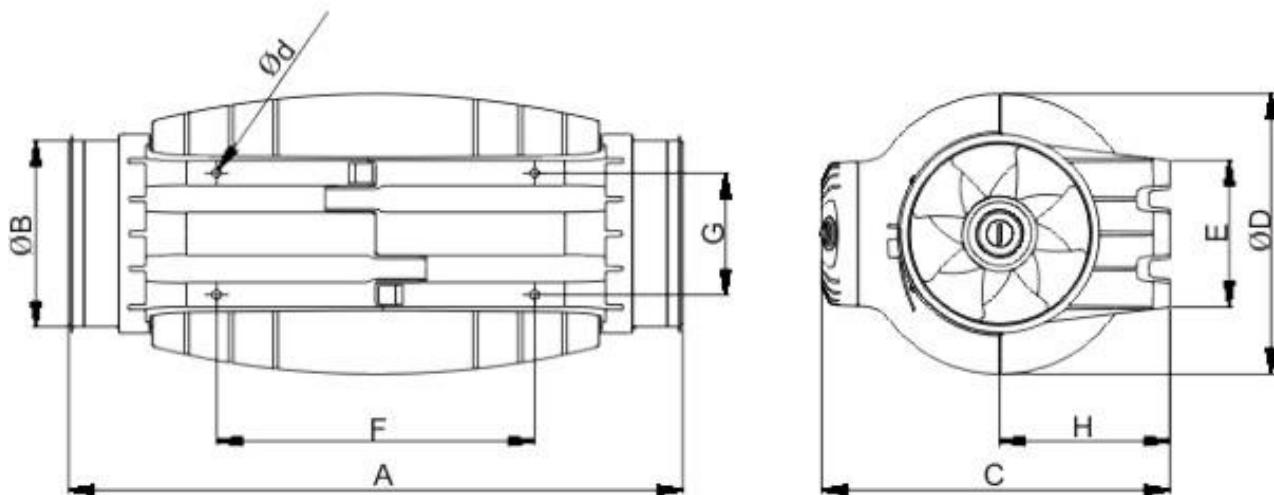
Motor Characteristics

Number of poles 2
 Voltage 1-230V-50Hz
 Maximum absorbed current 0,3 A
 IP Rating IP44
 Motor insulation class B

Curves



Dimensions



A	B	C	D	E	F	G	H
568	198	327	264	145	340	129	164

ErP Information

Ecodesign	
Commission regulation (EU) N°1253/2014 of July 2014	
Information requirements (Annex V)	
Product description	TD-800/200 SILENT (230-240V 50)
Manufacturer's Info	S&P ES-08150 CIF-B64911928
Identifier	5211360500
Typology	NRVU unidirectional
Drive	3V
Type of HRC	None
Thermal efficiency (%)	NA
Qnom (m3/s)	0,15
Pelec (kW)	0,1
SFPint (W/m3/s)	NA
Face velocity (m/s)	4,7
ps,ext (Pa)	217
ps,int (Pa)	NA
ps,add (Pa)	NA
Static efficiency fans (%)	34,2
External leakage rate (%)	5
Internal leakage rate (%)	NA
Filter performance	NA
Filter warning	NA

