



**Plate mounted axial flow fans  
HXBR / HXTR Series**

**Serial HXBR/HXTR**

**HXBR/4-355 (230V50Y60HZ) V5**

Plate mounted axial flow fans manufactured from high grade galvanised steel and provided with a Sickle blade impeller, low sound level, protected against corrosion by cataforesis primer and a polyester black paint finish (1), single phase external rotor motor (HXBR) or three phase motor (HXTR), IP44 (models 250 to 355) or IP54 (models 400 to 800), Class F, equipped with thermal protection and terminal box with capacitor incorporated in single phase models.

(1) Model 800: impeller motor unpainted.



**Motors**

Available in 2, 4, 6, 8 or 12 poles, depending on versions.

Electrical supplies: Single phase 230V-50Hz

Three phase 400V-50Hz

230/400V-50Hz (models 250)

Three phase motors suitable for inverter control.

(See characteristics chart).

**Additional information**

Standard air direction: form (A) configuration (motor over impeller).

**On request**

Three phase motors 230/400V-50Hz.

**Technical data**

Acoustic characteristics

Hz	63	125	250	500	1k	2k	4k	8k	Overall
Inlet (Lw)	63	70	67	70	70	67	61	53	76
Inlet (LwA)	37	54	58	67	70	68	62	52	74
Inlet LpA @ 1,5m	22	39	43	52	55	53	47	37	59

Technical characteristics

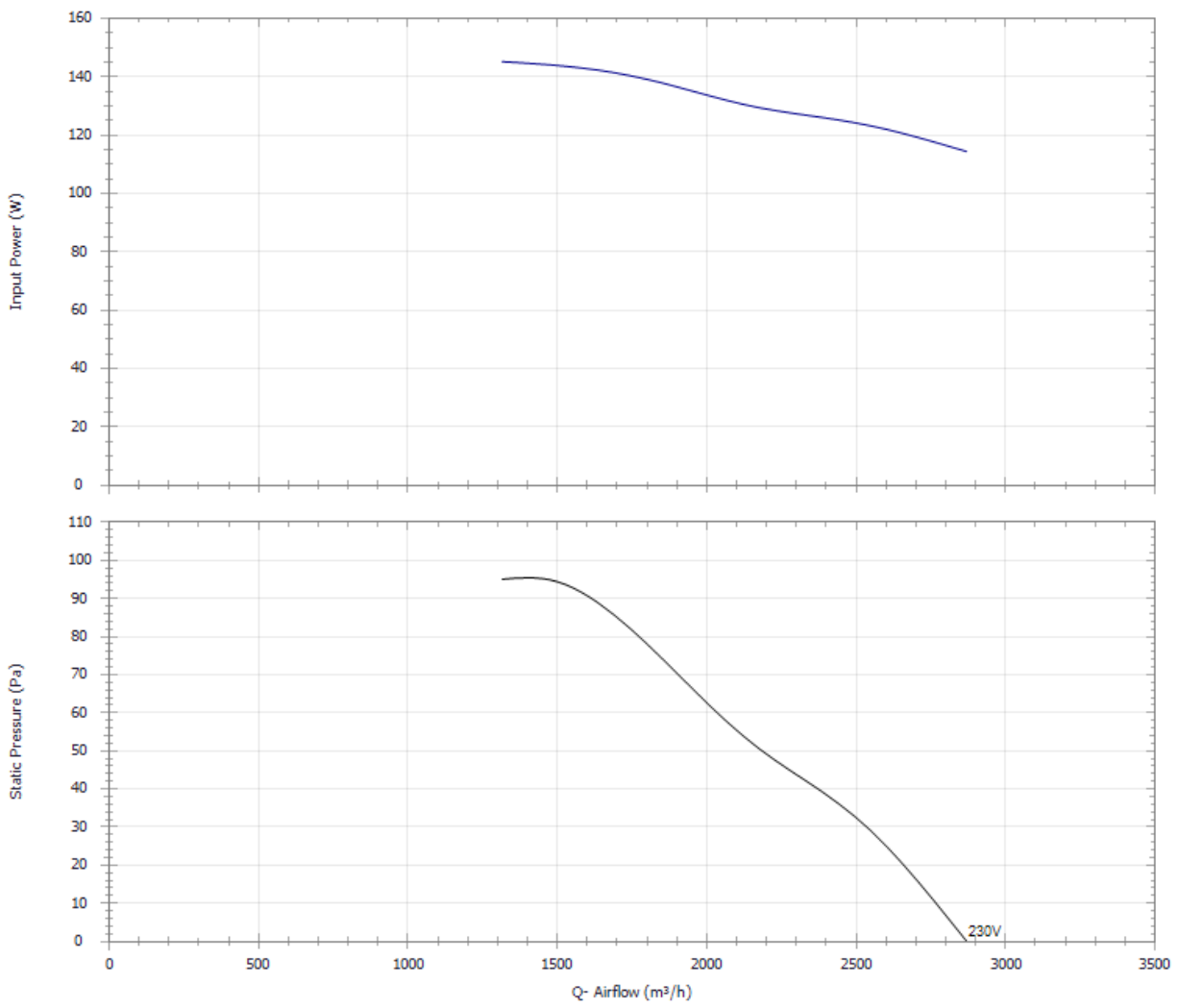
**Construction**

Discharge diameter 355 mm  
Fan size 355  
Weight 7,50 kg

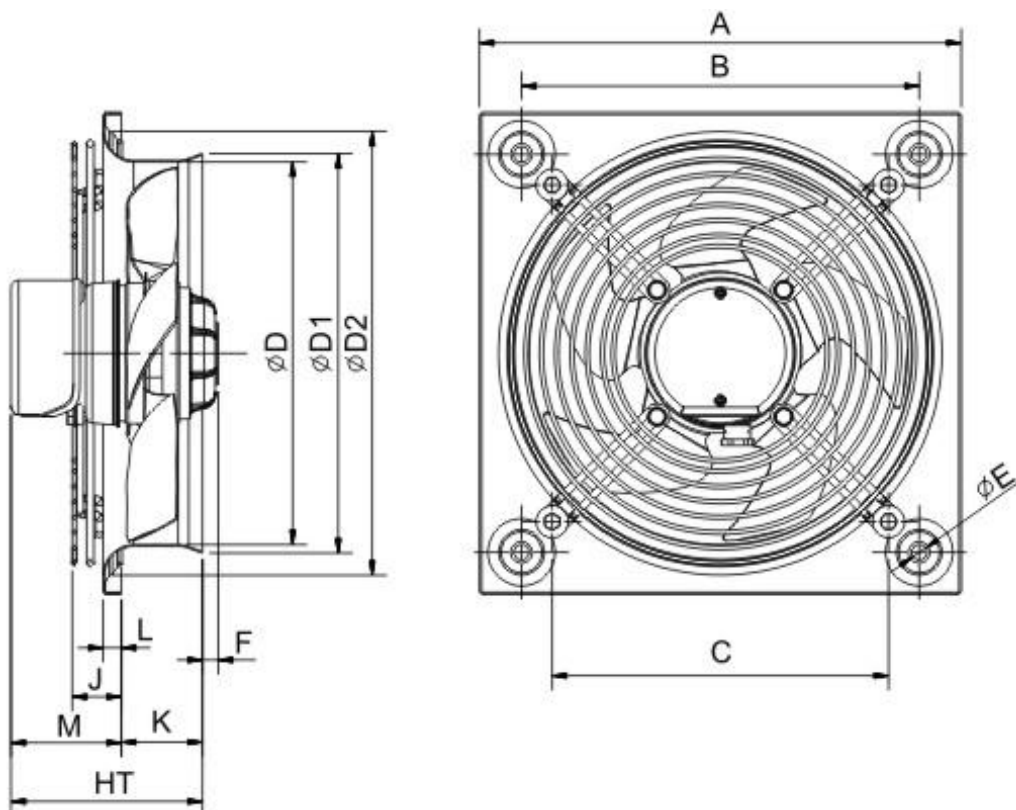
**Motor Characteristics**

Number of poles 4  
Voltage 1-230V-50Hz  
Maximum absorbed current 0,7 A  
IP Rating IP44  
Motor insulation class F

Curves



### Dimensions



A	B	C	D	D1	D2	E	F	HT	J	K	L	M
---	---	---	---	----	----	---	---	----	---	---	---	---

450	380	315	355	363	369	10	0	156	41	75	12	82
-----	-----	-----	-----	-----	-----	----	---	-----	----	----	----	----

ErP Information

<b>[%]</b>	
28,4	
<b>MC</b>	
A	
<b>EC</b>	
Static	
<b>N</b>	
N40,1	
<b>VSD</b>	
+	
<b>Year of manufacture</b>	
-	
<b>Manufacturer's Info</b>	
-	
<b>REF</b>	
5750256900	
<b>[kW]</b>	
0,141	
<b>[m3/h]</b>	
1.691	
<b>[Pa]</b>	
86	
<b>Speed</b>	
1345	
<b>SR</b>	
1	
<b>Recycling/disposal</b>	
-	
<b>Maintenance</b>	
-	
<b>Additional components</b>	
-	
<b>[%]</b>	Maximum efficiency [%]
<b>MC</b>	Instalation type
<b>EC</b>	Category efficiency
<b>N</b>	N
<b>VSD</b>	Variable speed drive
<b>Year of manufacture</b>	Year of manufacture
<b>Manufacturer's Info</b>	Manufacturer's Info
<b>REF</b>	Product code
<b>[kW]</b>	Input power at optimum efficiency point (kW)
<b>[m3/h]</b>	Airflow at optimum efficiency point [m3/h]
<b>[Pa]</b>	Pressure at optimum efficiency point [Pa]
<b>Speed</b>	Speed at optimum efficiency point
<b>SR</b>	Specific Ratio
<b>Recycling/disposal</b>	Recycling/disposal

<b>Maintenance</b>	Maintenance
<b>Additional components</b>	Additional components