



Low Pressure Centrifugal Fans CBP Series

Serial CBP-SM

CBP-9/9-RC

Complete low pressure centrifugal range with forward curved impeller. The range comprises different versions and sizes of double and single inlet fans. All these low pressure centrifugal fans are designed for belt drive operation.

All the fans are manufactured from galvanised sheet steel and fitted with impeller manufactured from galvanized sheet steel.

Additional information

Mounting feet as accessory allowing 4 different positions (basic version).



Technical data

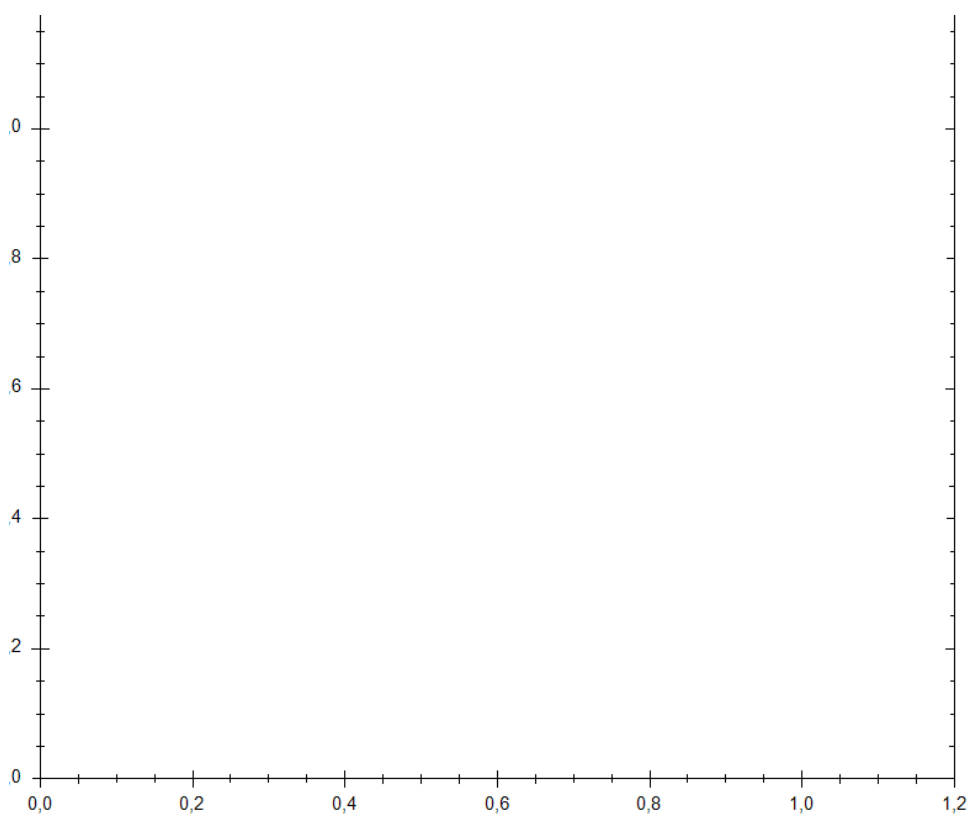
Acoustic characteristics

Unfortunately an error occurred.

Technical characteristics

Unfortunately an error occurred.

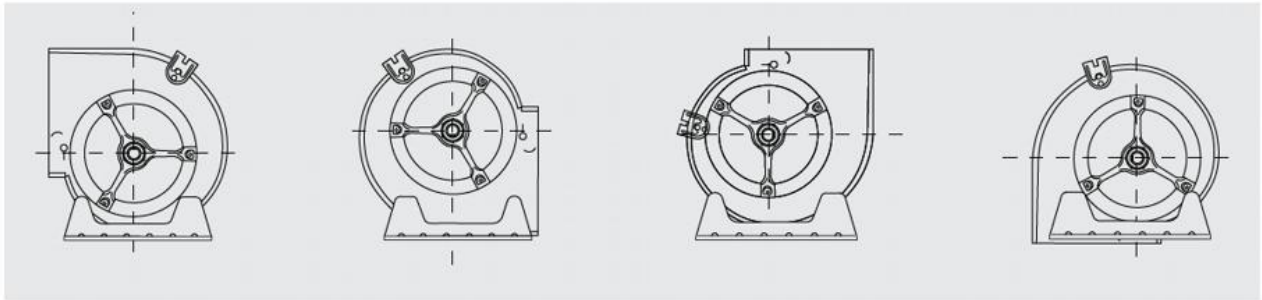
Curves



Dimensions

Unfortunately an error occurred.

Orientation



ErP Information

Unfortunately an error occurred.