



Plate mounted axial flow fans
HXBR / HXTR Series

Serial HXBR/HXTR

HXBR/6-630-A (230V50HZ)C V5

Plate mounted axial flow fans manufactured from high grade galvanised steel and provided with a Sickle blade impeller, low sound level, protected against corrosion by cataforesis primer and a polyester black paint finish (1), single phase external rotor motor (HXBR) or three phase motor (HXTR), IP44 (models 250 to 355) or IP54 (models 400 to 800), Class F, equipped with thermal protection and terminal box with capacitor incorporated in single phase models.

(1) Model 800: impeller motor unpainted.



Motors

Available in 2, 4, 6, 8 or 12 poles, depending on versions.

Electrical supplies: Single phase 230V-50Hz

Three phase 400V-50Hz

230/400V-50Hz (models 250)

Three phase motors suitable for inverter control.

(See characteristics chart).

Additional information

Standard air direction: form (A) configuration (motor over impeller).

On request

Three phase motors 230/400V-50Hz.

Technical data

Acoustic characteristics

Hz	63	125	250	500	1k	2k	4k	8k	Overall
Inlet (Lw)	71	75	74	75	74	69	64	58	81
Inlet (LwA)	45	59	65	72	74	70	65	57	78
Inlet LpA @ 1,5m	30	44	50	57	59	55	50	42	63

Technical characteristics

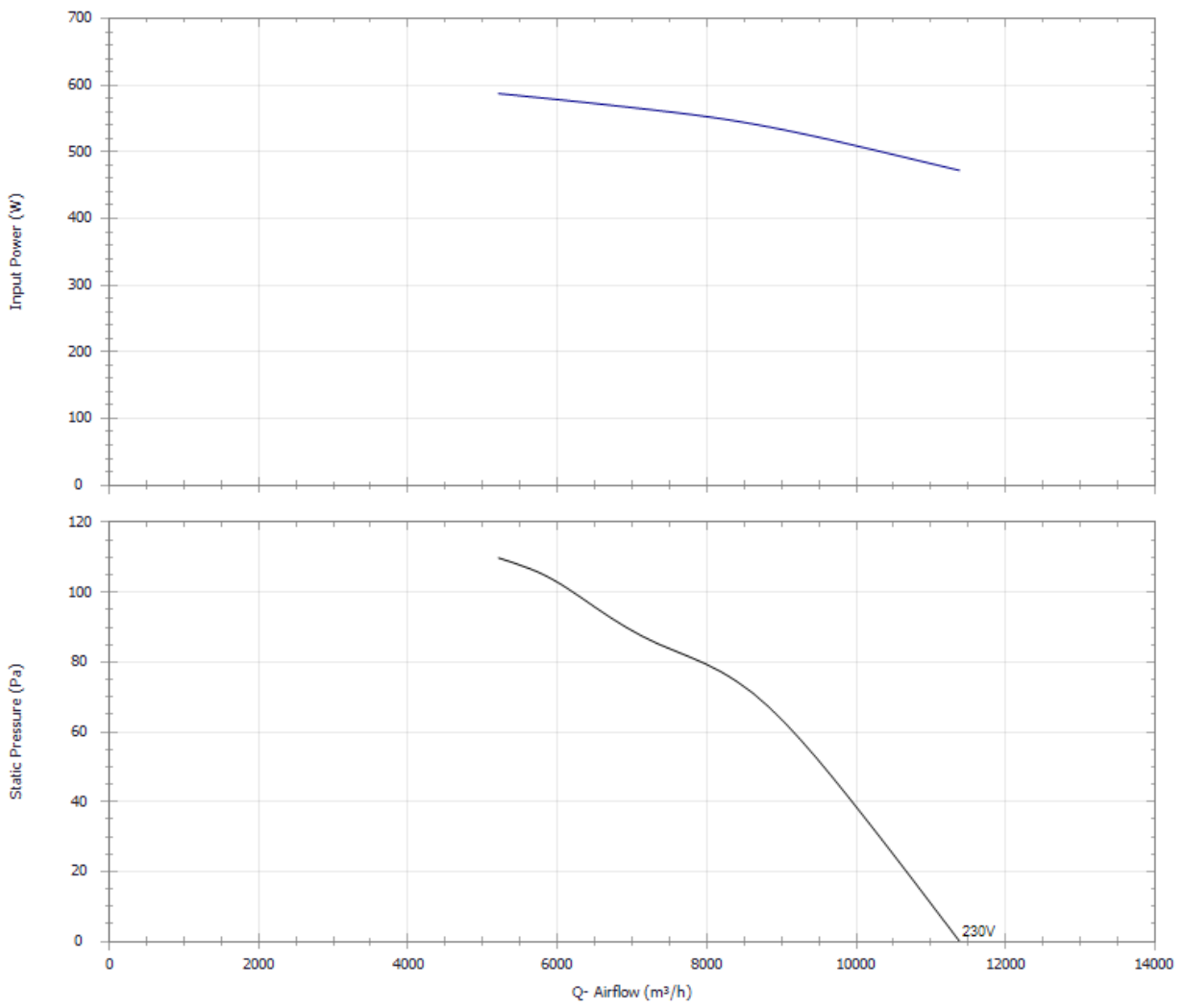
Construction

Discharge diameter	630 mm
Fan size	630
Weight	24,00 kg

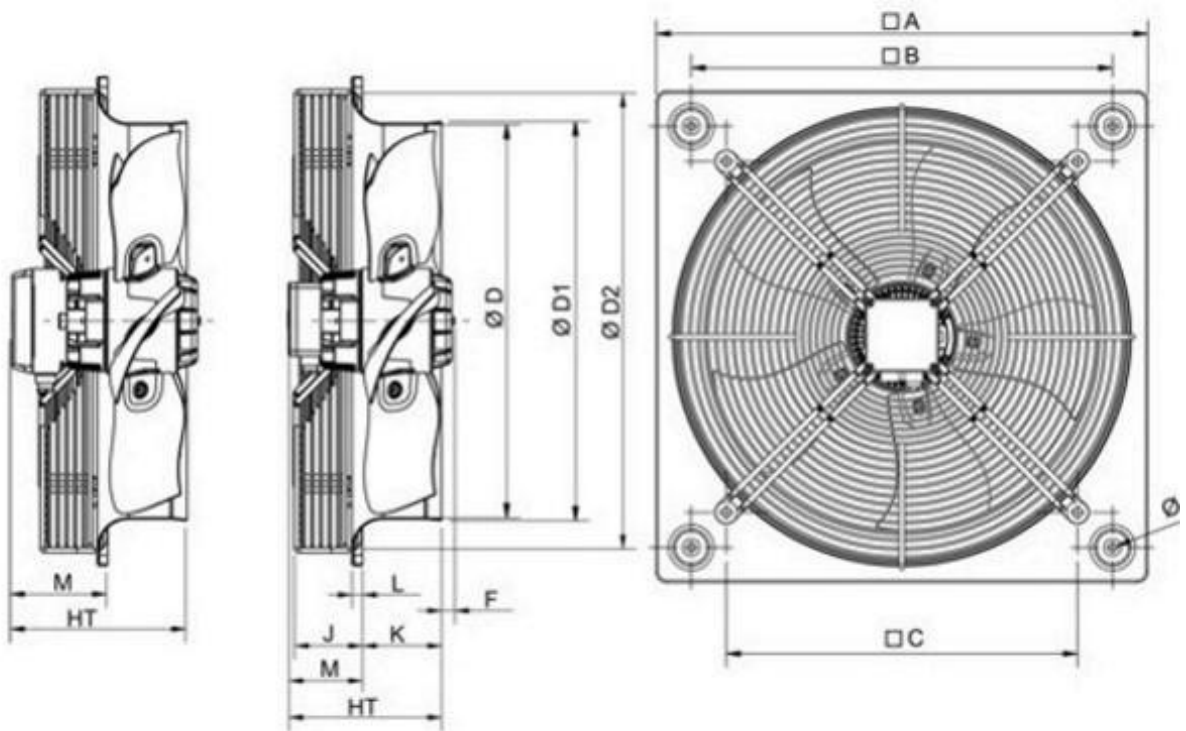
Motor Characteristics

Number of poles	6
Voltage	1-230V-50Hz
Maximum absorbed current	2,6 A
IP Rating	IP54
Motor insulation class	F

Curves



Dimensions



A	B	C	D	D1	D2	E	F	HT	J	K	L	M
---	---	---	---	----	----	---	---	----	---	---	---	---

800	710	580	630	640	674	12	25	207	60	103	12	104
-----	-----	-----	-----	-----	-----	----	----	-----	----	-----	----	-----

ErP Information

[%]	
32,0	
MC	
A	
EC	
Static	
N	
N40	
VSD	
+	
Year of manufacture	
-	
Manufacturer's Info	
-	
REF	
5700590900	
[kW]	
0,551	
[m3/h]	
8.143	
[Pa]	
78	
Speed	
879	
SR	
1	
Recycling/disposal	
-	
Maintenance	
-	
Additional components	
-	
[%]	Maximum efficiency [%]
MC	Instalation type
EC	Category efficiency
N	N
VSD	Variable speed drive
Year of manufacture	Year of manufacture
Manufacturer's Info	Manufacturer's Info
REF	Product code
[kW]	Input power at optimum efficiency point (kW)
[m3/h]	Airflow at optimum efficiency point [m3/h]
[Pa]	Pressure at optimum efficiency point [Pa]
Speed	Speed at optimum efficiency point
SR	Specific Ratio
Recycling/disposal	Recycling/disposal

Maintenance	Maintenance
Additional components	Additional components