

Ultra-quiet low consumption circular duct fans
TD-SILENT ECOWATT CAV Series

Serial TD-SILENT ECOWATT CAV

TD-1000/200 SILENT ECOWATT CAV (230V 50/60) NE

Low profile "Mixed-flow" fans with sound-absorbent insulation, extremely quiet, fan casing manufactured in plastic material, with a specially designed internal skin to direct the sound waves at the right angle for them to be captured by sound-absorbent material, fitted with flexible rubber seals on the inlet and outlet to absorb vibrations, with an external connection box, a body that can be removed without dismantling the adjacent ducting and therefore facilitating any installation or maintenance.

Brushless EC motor, high efficiency and low consumption, suitable for single phase supply 230V±15%/50-60Hz, IP44, thermal overload protection.

Equipped with a variable airflow sensor that allows the creation of a plug&play system of constant air volume (CAV).

Airflow set point adjustable in terminal box.

Analogue input to control the fan with an external signal 0-10V.

Prepared to work from -20 to +40°C.



Technical data

Acoustic characteristics

Hz	63	125	250	500	1k	2k	4k	8k	Overall
Inlet (Lw)	55	58	69	61	62	59	55	49	71
Inlet (LwA)	29	42	60	58	62	60	56	48	67
Inlet LpA @ 1,5m	14	27	45	43	47	45	41	33	52
Outlet (Lw)	61	61	70	70	72	64	54	46	76
Outlet (LwA)	35	45	61	67	72	65	55	45	74
Outlet LpA @ 1,5m	20	30	46	52	57	50	40	30	60
Breakout (Lw)	47	45	52	51	51	46	38	37	57
Breakout (LwA)	21	29	43	48	51	47	39	36	54
Breakout LpA @ 1,5m	6	14	28	33	36	32	24	21	40

Technical characteristics

Working Point

Airflow	0,000 m³/h
Static Pressure	0,000 Pa
Dynamic pressure	0,000 Pa
Total Pressure	0,000 Pa
Fan speed	2270 rpm

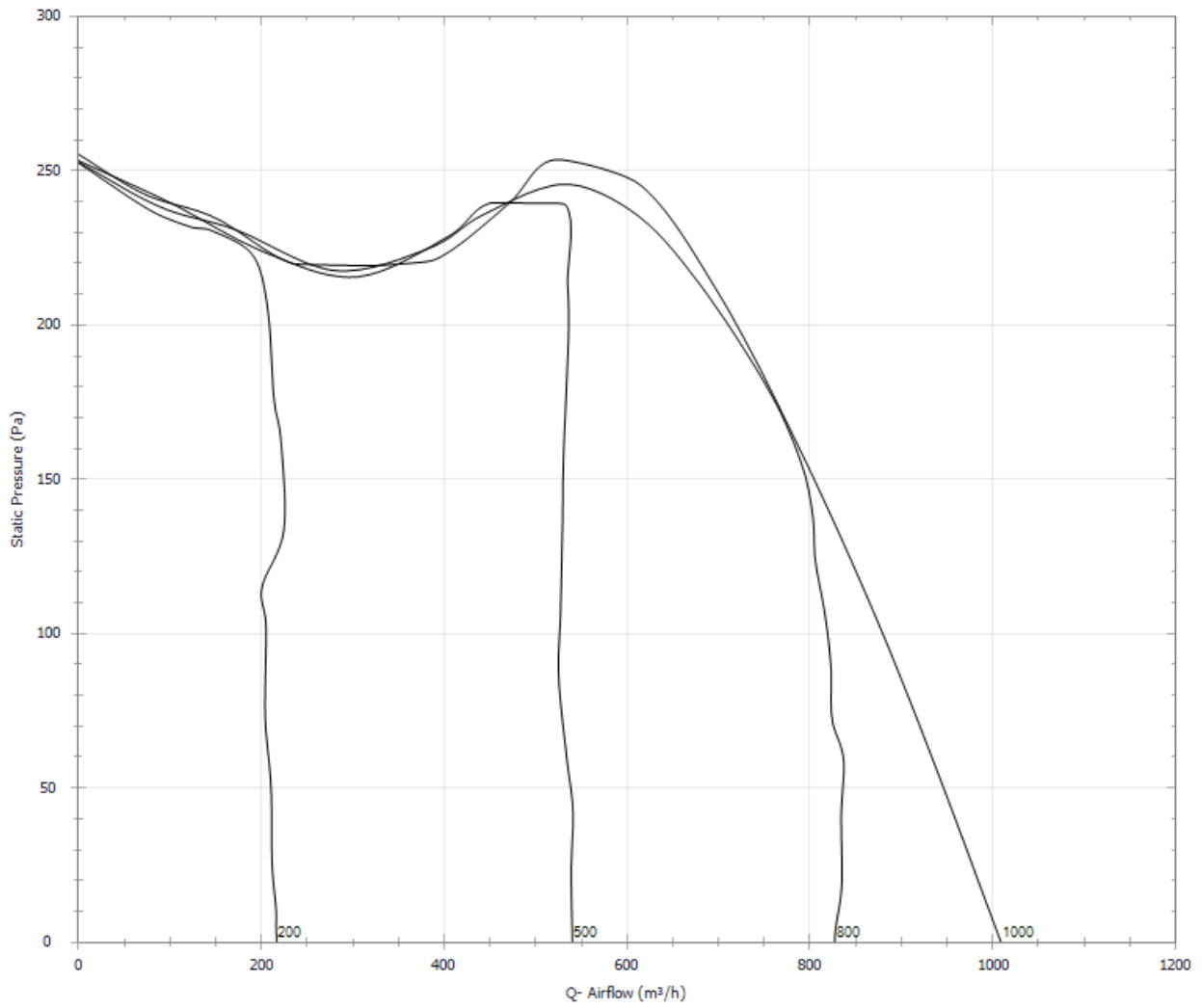
Construction

Discharge diameter	198 mm
Fan size	1000
Weight	8,70 kg

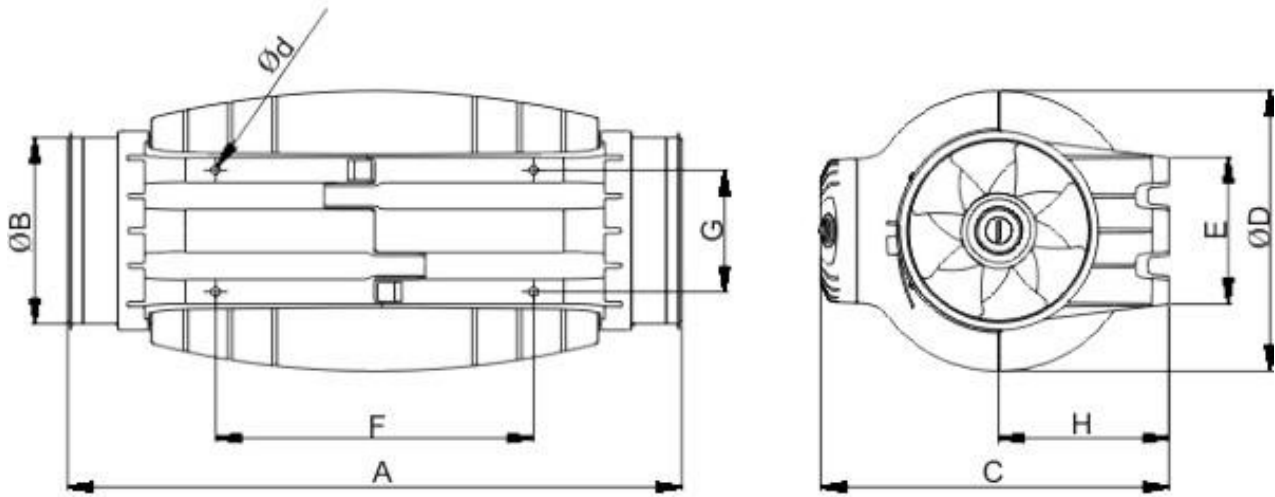
Motor Characteristics

IP Rating	IP44
Motor insulation class	B

Curves



Dimensions



A	B	C	D	E	F	G	H	d
568	198	327	264	145	340	129	164	5.4

ErP Information

Ecodesign	
Commission regulation (EU) N°1253/2014 of July 2014	
Information requirements (Annex V)	
Product description	TD-1000/200 SILENT ECOWATT CAV (230V 50/60) NE
Manufacturer's Info	S&P ES-08150 CIF-B64911928
Identifier	5211006600
Typology	NRVU unidirectional
Drive	VSD
Type of HRC	None
Thermal efficiency (%)	NA
Qnom (m3/s)	0,17
Pelec (kW)	0,09
SFPint (W/m3/s)	
Face velocity (m/s)	5,07
ps,ext (Pa)	249,11
ps,int (Pa)	NA
ps,add (Pa)	NA
Static efficiency fans (%)	47,8
External leakage rate (%)	3
Internal leakage rate (%)	NA
Filter performance	NA
Filter warning	NA
LWA dB(A)	53
www.solerpalau.com	

