



**Plate mounted axial flow fans
HXBR / HXTR Series**

Serial HXBR/HXTR

HXBR/6-450-A (230V50HZ)C

Plate mounted axial flow fans manufactured from high grade galvanised steel and provided with a Sickle blade impeller, low sound level, protected against corrosion by cataforesis primer and a polyester black paint finish (1), single phase external rotor motor (HXBR) or three phase motor (HXTR), IP44 (models 250 to 355) or IP54 (models 400 to 800), Class F, equipped with thermal protection and terminal box with capacitor incorporated in single phase models.

(1) Model 800: impeller motor unpainted.



Motors

Available in 2, 4, 6, 8 or 12 poles, depending on versions.

Electrical supplies: Single phase 230V-50Hz

Three phase 400V-50Hz

230/400V-50Hz (models 250)

Three phase motors suitable for inverter control.

(See characteristics chart).

Additional information

Standard air direction: form (A) configuration (motor over impeller).

On request

Three phase motors 230/400V-50Hz.

Technical data

Acoustic characteristics

Hz	63	125	250	500	1k	2k	4k	8k	Overall
Inlet (Lw)	59	66	66	64	64	64	59	54	72
Inlet (LwA)	33	50	57	61	64	65	60	53	69
Inlet LpA @ 1,5m	18	35	42	46	49	50	45	38	55

Technical characteristics

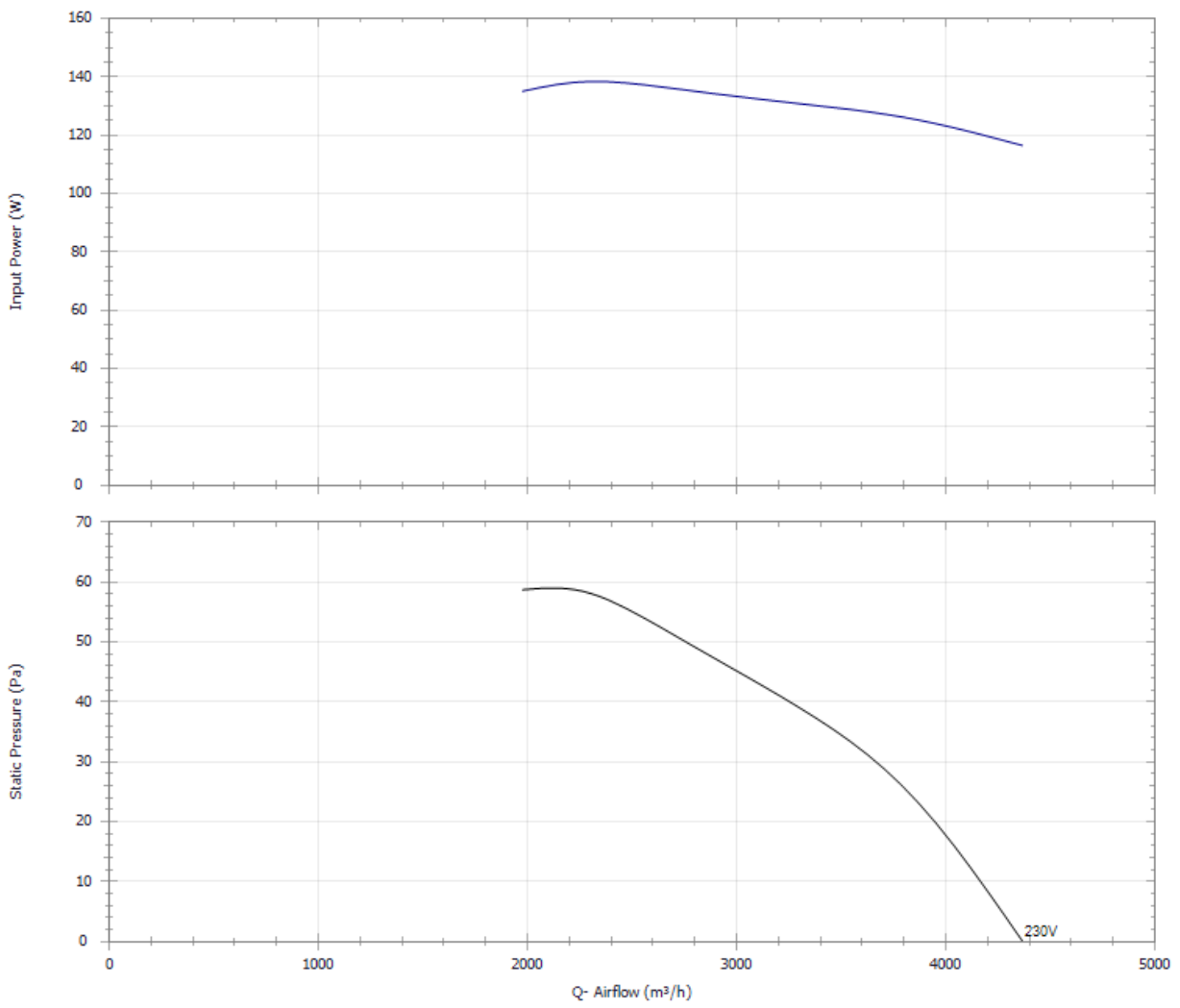
Construction

Discharge diameter 450 mm
Fan size 400
Weight 11,50 kg

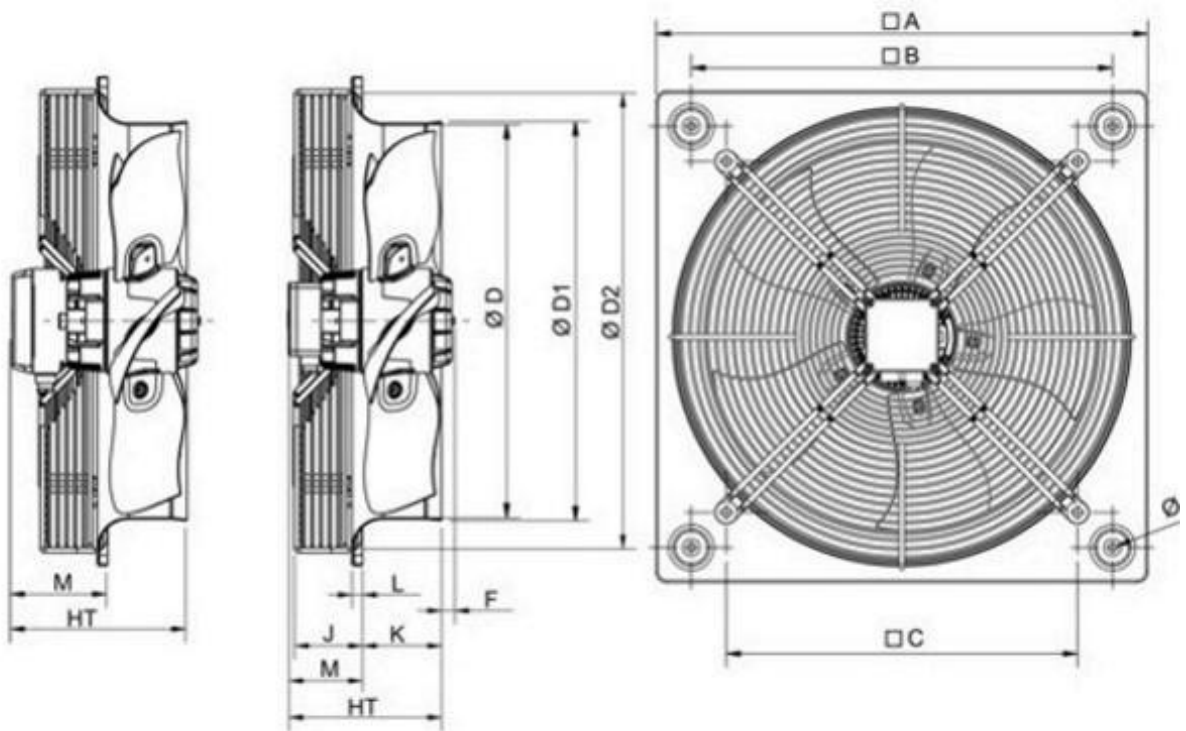
Motor Characteristics

Number of poles 6
Voltage 1-230V-50Hz
Maximum absorbed current 0,6 A
IP Rating IP54
Motor insulation class F

Curves



Dimensions



A	B	C	D	D1	D2	E	F	HT	J	K	L	M
---	---	---	---	----	----	---	---	----	---	---	---	---

560	480	400	450	457	474	10	0	202	68	91	12	87
-----	-----	-----	-----	-----	-----	----	---	-----	----	----	----	----

ErP Information

[%]	
28,3	
MC	
A	
EC	
Static	
N	
N40,1	
VSD	
+	
Year of manufacture	
-	
Manufacturer's Info	
-	
REF	
5740053300	
[kW]	
0,135	
[m3/h]	
2.840	
[Pa]	
48	
Speed	
908	
SR	
1	
Recycling/disposal	
-	
Maintenance	
-	
Additional components	
-	
[%]	Maximum efficiency [%]
MC	Instalation type
EC	Category efficiency
N	N
VSD	Variable speed drive
Year of manufacture	Year of manufacture
Manufacturer's Info	Manufacturer's Info
REF	Product code
[kW]	Input power at optimum efficiency point (kW)
[m3/h]	Airflow at optimum efficiency point [m3/h]
[Pa]	Pressure at optimum efficiency point [Pa]
Speed	Speed at optimum efficiency point
SR	Specific Ratio
Recycling/disposal	Recycling/disposal

Maintenance	Maintenance
Additional components	Additional components