



Acoustic Cabinet Fans  
CVB / CVT CENTRIBOX Series

**Serial CVT-CVB**

**CVB-180/180N T 72W EXPORT \*230V 50\* R6**

Cabinet fans manufactured from heavy gauge galvanised steel sheet and internally lined with melamine foam acoustic insulation (M1). All models incorporate double inlet single phase direct-drive forward curved centrifugal fan fitted with anti vibration mounts and IP55 remote terminal box. All fans installed in acoustic cabinet fans CVB / CVT CENTRIBOX comply with the efficiency requirements of the ErP Directive. All cabinets can be installed outdoors as standard.



**Motors**

Available, depending upon the model, with single phase motors in 4 or 6 poles. Motors are IP44 or IP55 (1), Class F insulation, with ball bearings and thermal protection. Electrical supply:  
Single phase 230V-50Hz.  
Three phase 230/400V-50Hz.  
All single phase models are speed controllable by tension.  
All three phase models are speed controllable by frequency inverter.(1) See technical characteristic chart.



Working temperature from -20°C to +40°C.

**Technical data**

Acoustic characteristics

Hz	63	125	250	500	1k	2k	4k	8k	Overall
Inlet (Lw)	67	62	60	60	55	46	43	37	70
Inlet (LwA)	41	46	51	57	55	47	44	36	60
Inlet LpA @ 1,5m	26	31	36	42	40	32	29	21	46
Outlet (Lw)	67	64	63	64	67	64	60	56	73
Outlet (LwA)	41	48	54	61	67	65	61	55	71
Outlet LpA @ 1,5m	26	33	39	46	52	50	46	40	56
Breakout (Lw)	67	59	53	49	44	36	30	26	68
Breakout (LwA)	41	43	44	46	44	37	31	25	51
Breakout LpA @ 1,5m	26	28	29	31	29	22	16	10	37

Technical characteristics

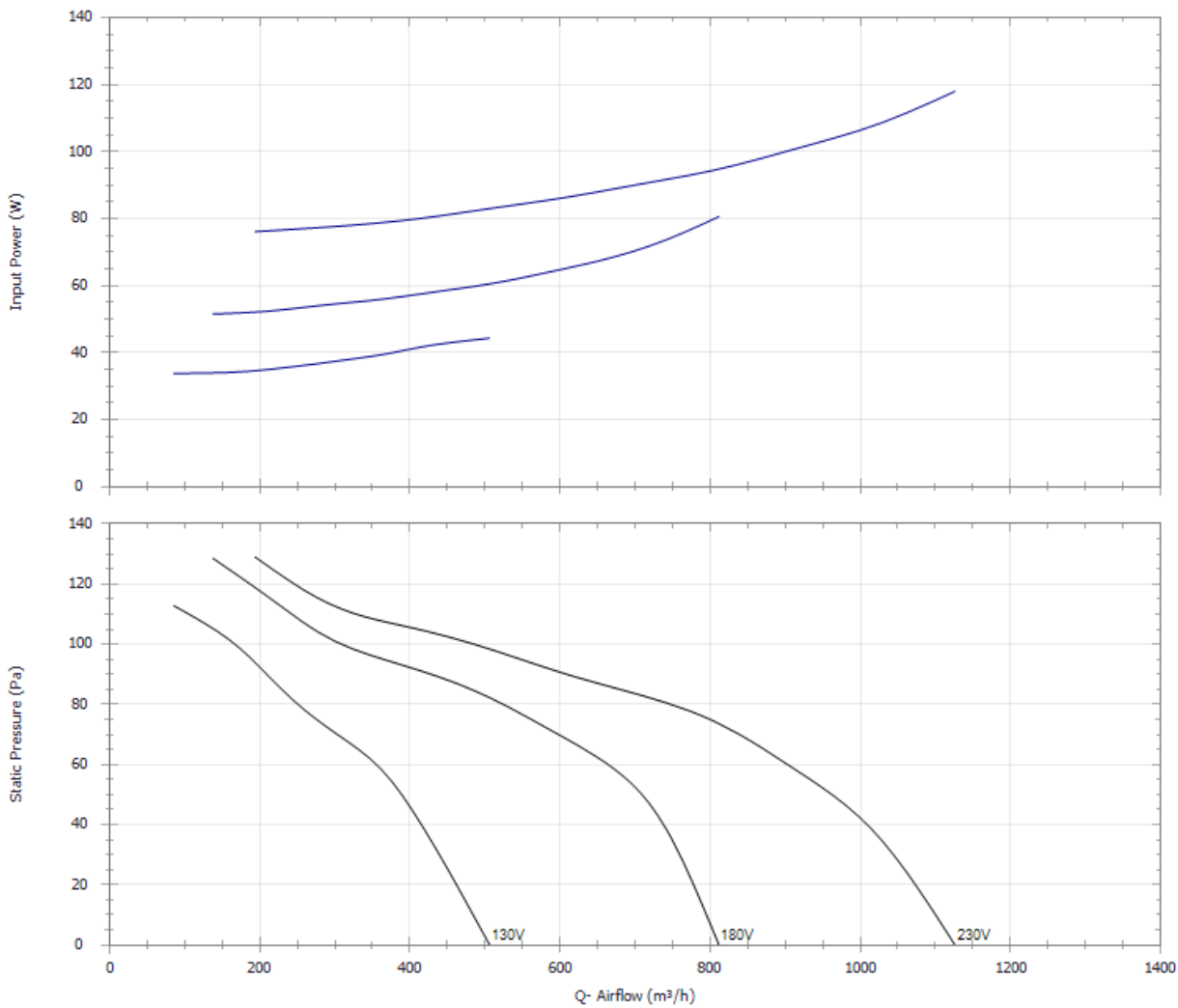
**Construction**

Discharge diameter	250 mm
Fan size	7/7
Weight	22,00 kg

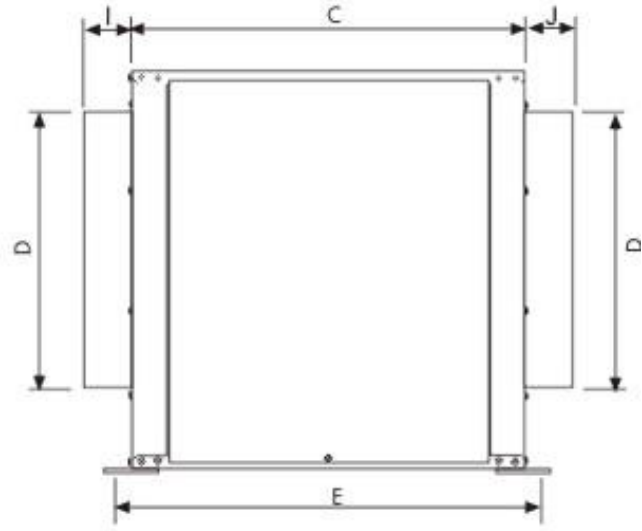
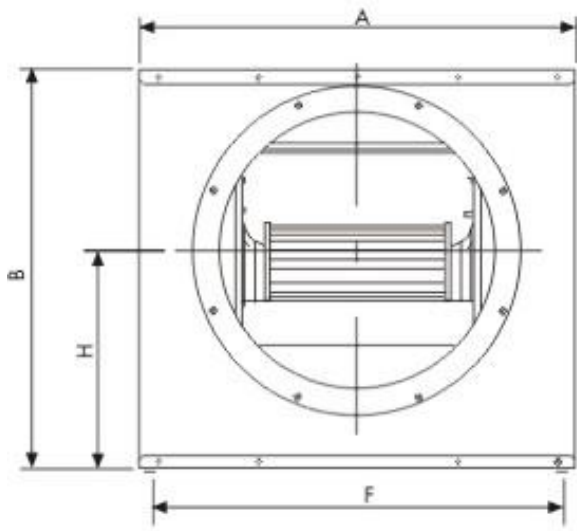
### Motor Characteristics

Number of poles	6
Voltage	1-230V-50Hz
Maximum absorbed current	0,5 A
IP Rating	IP44
Motor insulation class	F

### Curves



### Dimensions



A	B	C	E	F	H	I
455	441	408	436	422	245	65

## ErP Information

Ecodesign	
Commission regulation (EU) N°1253/2014 of July 2014	
Information requirements (Annex V)	
ProductoComercial	CVB-180/180N T 72W EXPORT (230V 50) R6
Identifier	5137100300
SEC average climate (kWh/(m2.an))	-26,99
SEC class	B
SEC cold climate (kWh/(m2.an))	-54
SEC warm climate (kWh/(m2.an))	-11
Typology	RVU unidirectional
Type of drive	Variable speed drive
Type of HRC	None
Thermal efficiency (%)	0
Maximum flow rate (m3/h)	788
Electrical power input at maximum flow rate (W)	93,65
Sound power level (LWA)	45
Reference flow rate (m3/s)	0,1548
Reference pressure difference (Pa)	38,13
SPI (W/m3/h)	0,0987
Control factor	0,65
Control typology	Local demand
Maximum internal leakage for BVU (%)	Not applicable
Maximum external leakage for BVU and UVU (%)	8
Mixing rate for BVU without duct connection (%)	Not applicable

<b>Position of visual filter warning</b>	Not applicable
<b>description of visual filter warning</b>	Not applicable
<b>Instructions to install supply grilles</b>	F&W LEAFLET
<b>Instructions to install exhaust grilles</b>	F&W LEAFLET
<b>www.solerpalau.com</b>	
<b>Airflow sensitivity to pressure variation</b>	Not applicable
<b>Indoor/outdoor air tightness (m3/h)</b>	Not applicable
<b>Annual electricity consumption - Average climate</b>	52,26
<b>Annual electricity consumption - Warm climate</b>	52,26
<b>Annual electricity consumption - Cold climate</b>	52,26
<b>Annual heating saved - Average climate (kWh/a)</b>	28,3
<b>Annual heating saved - Warm climate (kWh/a)</b>	12,8
<b>Annual heating saved - Cold climate (kWh/a)</b>	55,36