



Acoustic Cabinet Fans
CVB / CVT CENTRIBOX Series

Serial CVT-CVB

CVB/4-240/240N T 550W EXPORT *230V 50HZ* N8

Cabinet fans manufactured from heavy gauge galvanised steel sheet and internally lined with melamine foam acoustic insulation (M1). All models incorporate double inlet single phase direct-drive forward curved centrifugal fan fitted with anti vibration mounts and IP55 remote terminal box. All fans installed in acoustic cabinet fans CVB / CVT CENTRIBOX comply with the efficiency requirements of the ErP Directive. All cabinets can be installed outdoors as standard.



Motors

Available, depending upon the model, with single phase motors in 4 or 6 poles. Motors are IP44 or IP55 (1), Class F insulation, with ball bearings and thermal protection. Electrical supply:
 Single phase 230V-50Hz.
 Three phase 230/400V-50Hz.
 All single phase models are speed controllable by tension.
 All three phase models are speed controllable by frequency inverter.(1) See technical characteristic chart.



Working temperature from -20°C to +40°C.

Technical data

Acoustic characteristics

No sound information available.

Hz	63	125	250	500	1k	2k	4k	8k	Overall
----	----	-----	-----	-----	----	----	----	----	---------

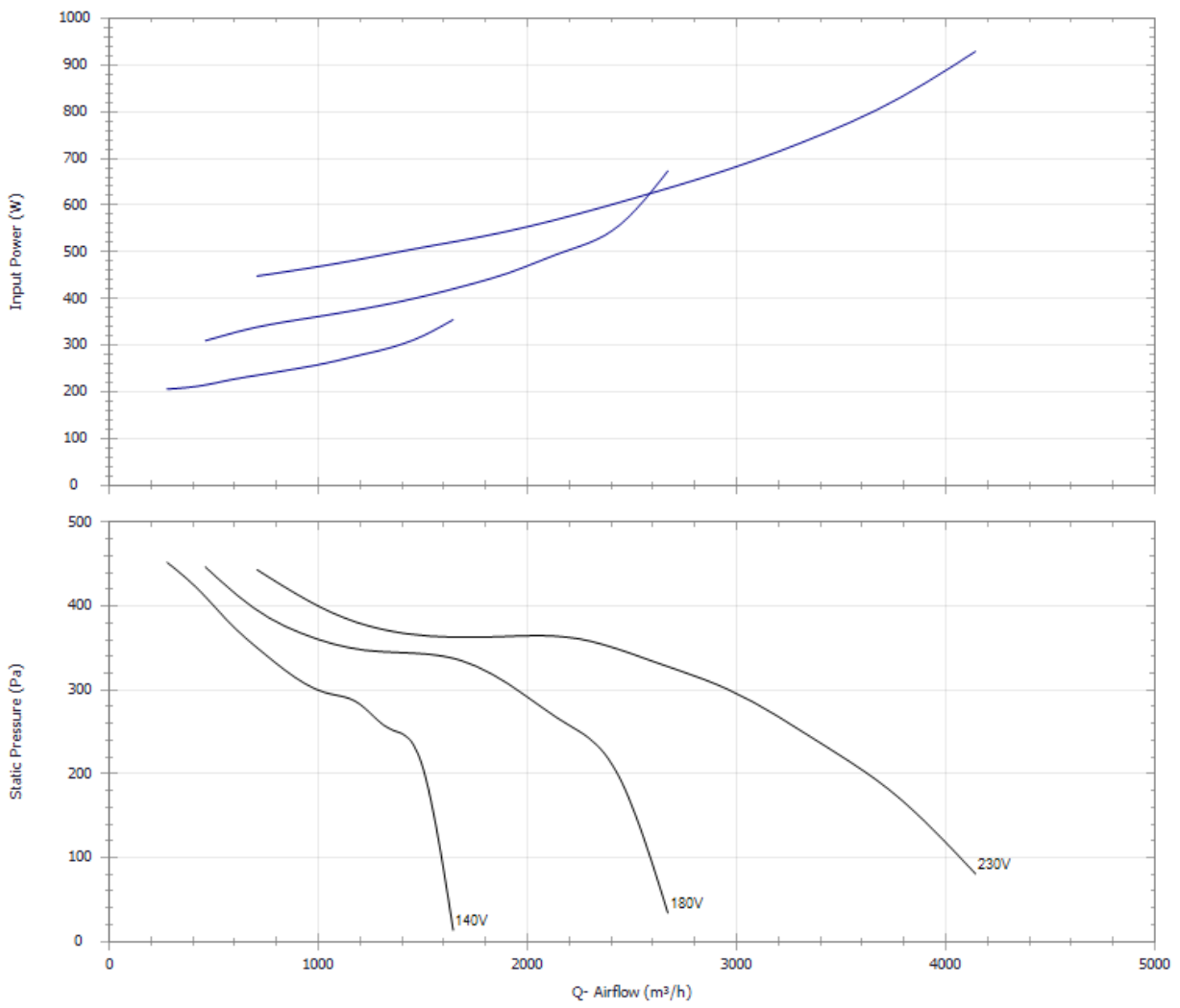
Technical characteristics

Construction

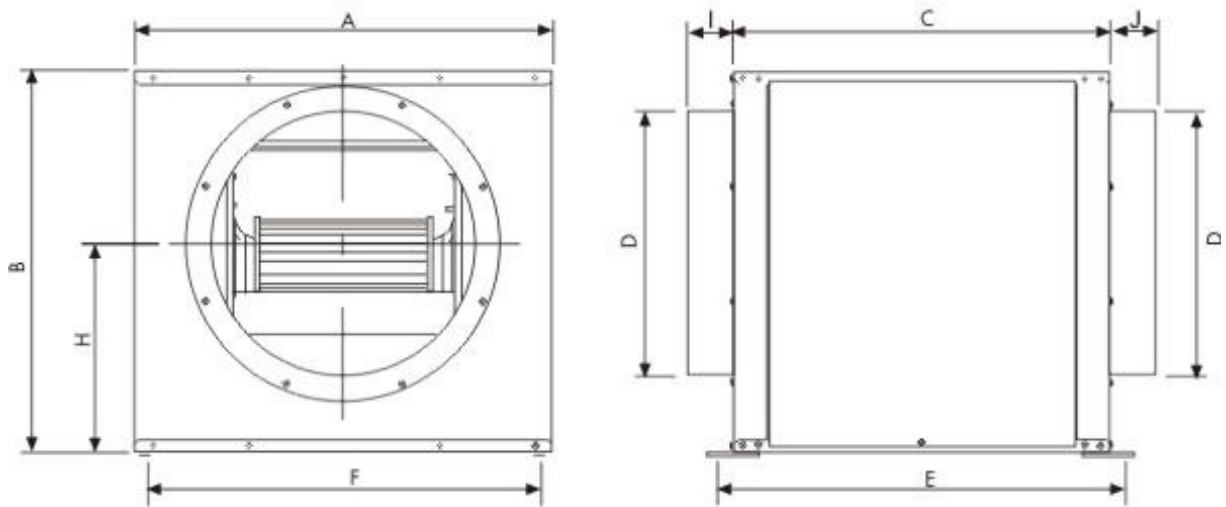
Motor Characteristics

Number of poles	4
Voltage	1-230V-50Hz
Maximum absorbed current	3,9 A
IP Rating	IP44
Motor insulation class	F

Curves



Dimensions



A	B	C	E	F	H	I
---	---	---	---	---	---	---

565	521	508	536	532	282	65
-----	-----	-----	-----	-----	-----	----

ErP Information

Ecodesign	
Commission regulation (EU) N°1253/2014 of July 2014	
Information requirements (Annex V)	
Product description	CVB/4-240/240N T 550W EXPORT (230V 50HZ) N8
Manufacturer's Info	S&P ES-08150 CIF-B64911928
Identifier	5137217900
www.solerpalau.com	