



Electric Heaters  
**MBE Series**

**Serial MBE**

**MBE-315/120T 3/400V**

Designed to be installed on the fans discharge side. The minimum air speed through the heater must be 1,5 m/s.

Maximum air temperature through the heater: 40°C.

The heaters are fitted with:

- Armoured heating element.
- Double protection circuit to connect to the heater control circuit by means of a safety overheat automatic thermostat connected in series with another safety overheat manual reset thermostat (RESET).
- Wiring box IP43.

Available temperature sensors in the duct, ambient temperature sensors and speed controllers to complete the installation and to adjust the air temperature according to every need.



**Technical data**

Acoustic characteristics

No sound information available.

Hz	63	125	250	500	1k	2k	4k	8k	Overall
----	----	-----	-----	-----	----	----	----	----	---------

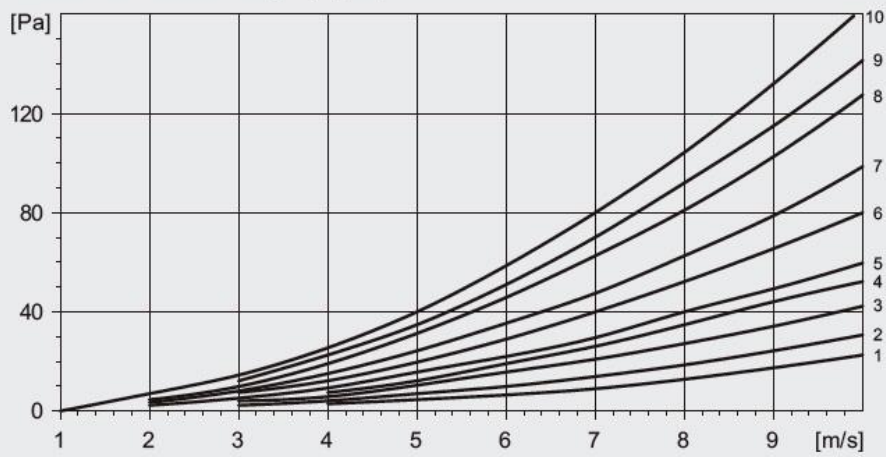
---

Technical characteristics

---

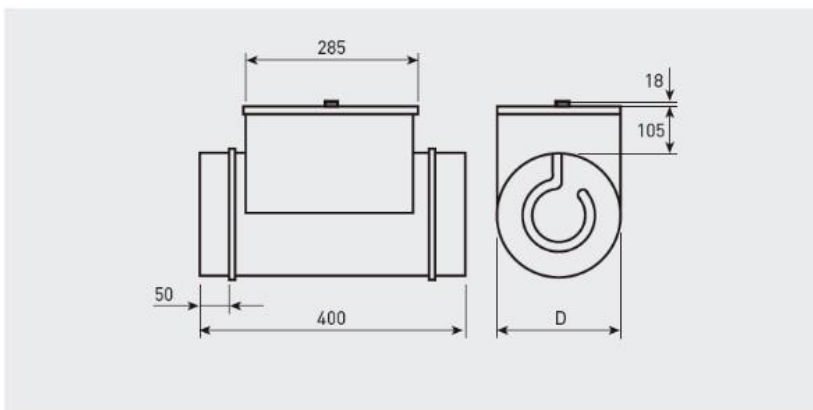
Curves

## MBE - Pressure drop $\Delta p$ (Pa)



Model	Curve	Model	Curve	Model	Curve
100/04B	1	200/90T	10	355/120T	4
100/08B	7	250/20T	1	355/150T	7
125/04B	1	250/30T	2	355/180T	9
125/08B	5	250/40T	2	400/60T	1
125/12B	6	250/50T	4	400/90T	2
160/07B	1	250/60T	5	400/120T	3
160/14B	4	250/90T	7	400/150T	8
160/21B	5	315/30T	1	400/180T	10
200/21B	2	315/60T	2	500/60T	1
200/20T	2	315/90T	4	500/90T	1
200/30T	4	315/120T	5	500/120T	2
200/40T	5	315/150T	8	500/150T	4
200/50T	6	355/60T	2	500/180T	7
200/60T	7	355/90T	3		

## Dimensions



Model	D
MBE-100	100
MBE-125	125
MBE-160	160
MBE-200	200
MBE-250	250
MBE-315	315
MBE-355	355
MBE-400	400
MBE-500	500

## ErP Information

